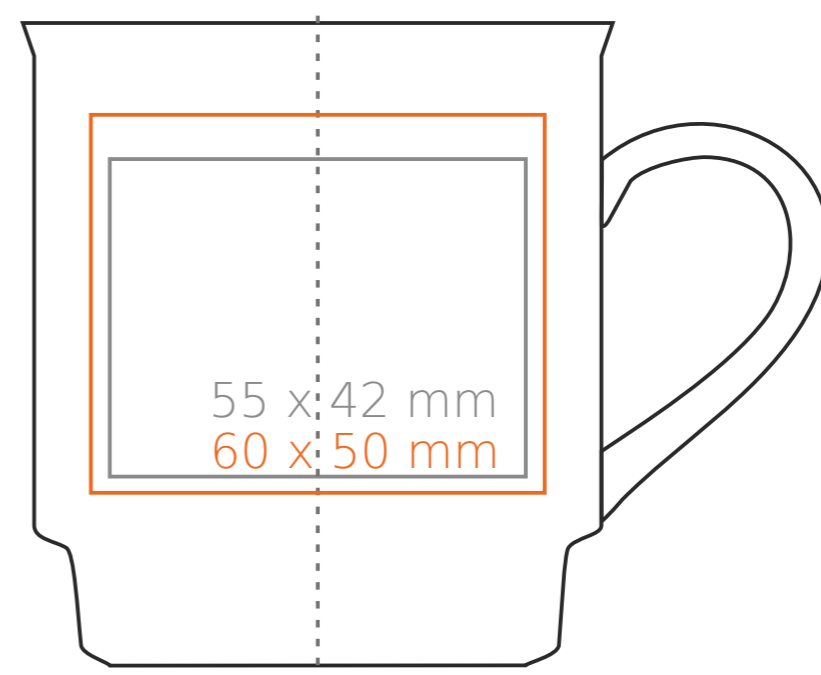
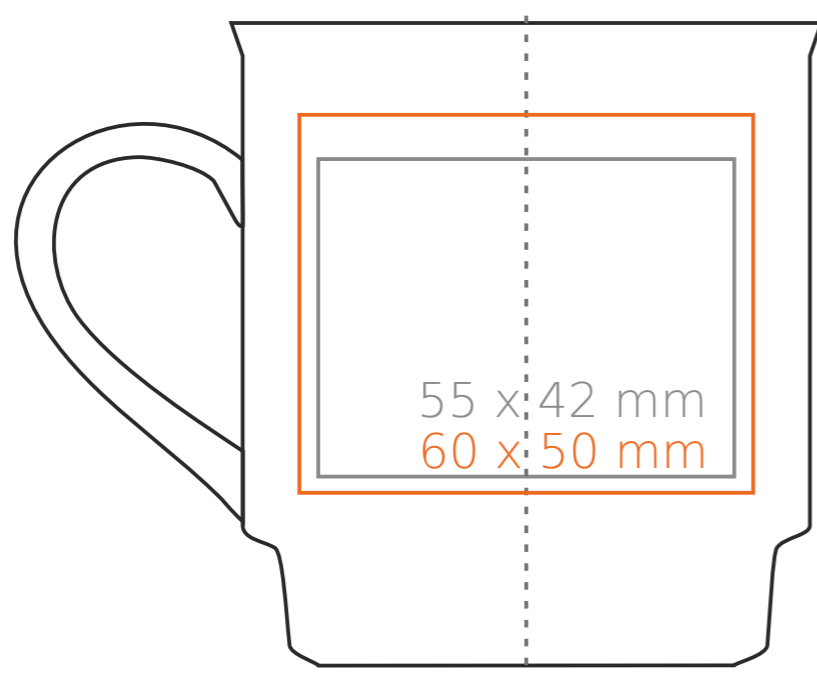
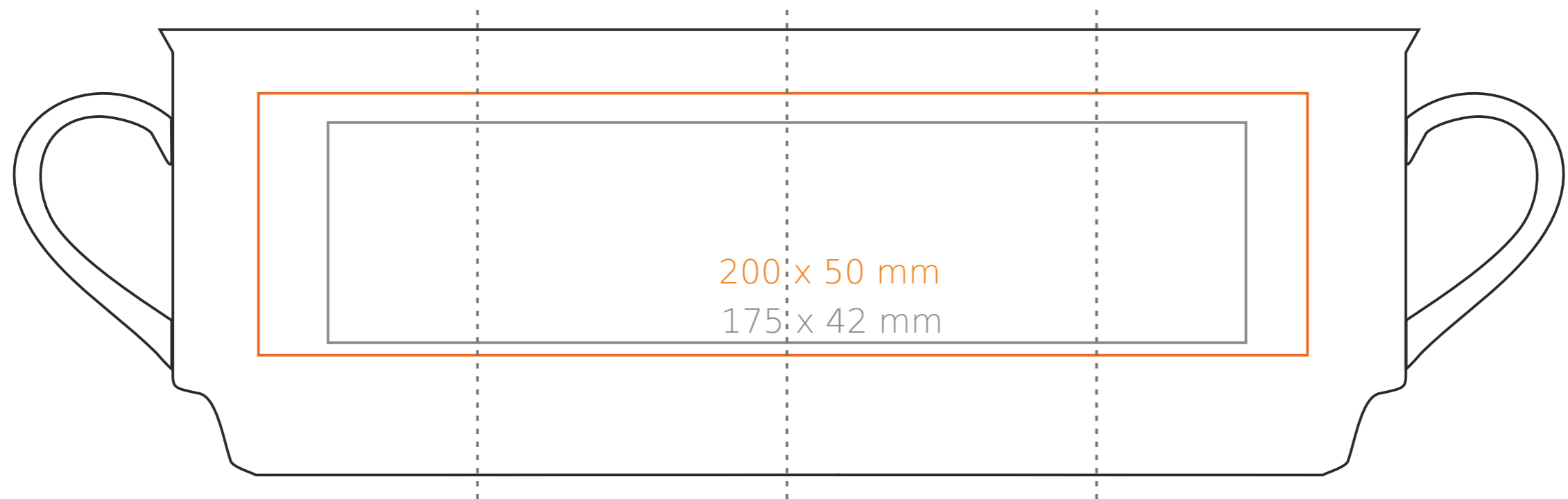


M/133 **Noel**

230 ml / h: 85 mm / Ø80 mm



- | | |
|-------------------------------|--------------|
| Imprint on the handle | - 40 x 5 mm |
| Imprint on the inside | - 40 x 15 mm |
| Imprint on the bottom inside | - Ø 35 mm |
| Imprint on the bottom outside | - Ø 25 mm |

*In the case of projects for transfer print running outside of the standard print area, please contact our sales department.

[Jak należy przygotować projekty do druku](#)

meaning

- Transfer Print
- Sensitive Touch
- Direct Print